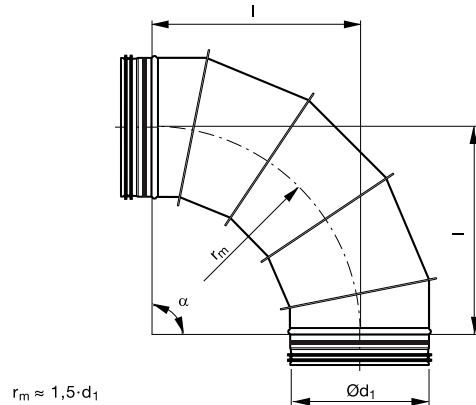


Bend – long, lockseamed

BSFUSS 90



Dimensions



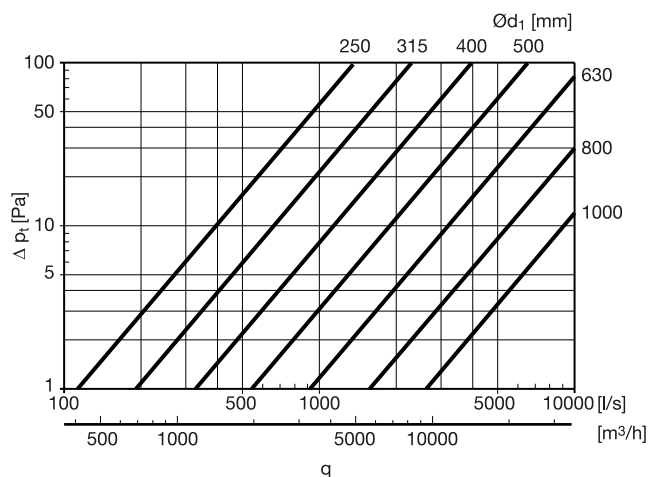
Description

Segmented and lockseamed bend.

The product is CE marked according to EN 12101-7 and used in a circular smoke control system - single compartment (see declaration of performance).

Technical data

Pressure loss



Ød ₁ nom	l ₁ mm	m kg
125	190	0,79
180	270	1,36
200	300	1,68
250	375	2,70
280	420	3,33
300	450	3,60
315	473	4,25
355	533	4,60
400	600	8,37
450	675	10,2
500	750	12,0
560	840	15,2
600	900	17,0
630	945	18,9
710	1065	22,7
800	1200	27,0
900	1350	39,3
1000	1500	47,9
1120	1680	63,3
1250	1875	78,8

Order code

Product	BSFUSS
Dimension Ød ₁	315
Angle α	90

Order example: BSFUSS-315-90