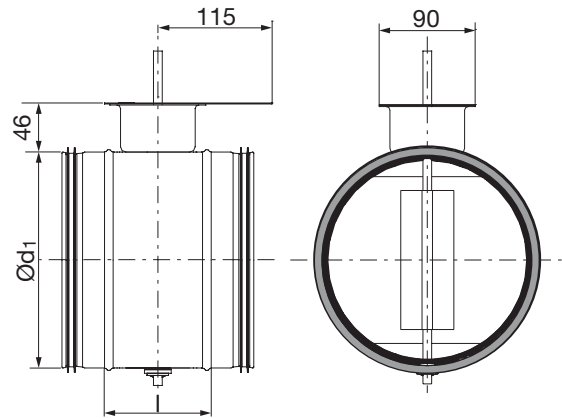


Shut-off damper with motor shelf

DTH1U



Dimensions



Description

Shut-off damper with a pre-assembled motor shelf.

The damper consists of a DTU damper with a pre-assembled motor shelf.

It is designed to have a motor added on site. The damper is equipped with a long damper shaft to be prepared to fit different types of motors, it has no knob for manual adjustment of the damper blade.

There is a separate assembly, measuring, balancing and maintenance instruction for this product.

Ø 80–315 fulfils pressure class C in closed position.
Ø 400–500 fulfils pressure class B in closed position.

Motorizing

Important when choosing the motor is that it has enough torque to open and close the damper blade, see minimum needed torque in the table (M Nm).

The motor shelf is provided with suitable fixing holes for Belimo's LM and NM motors.

The dampers DRU and DSU can also be ordered with pre-assembled motor shelf.

Technical data

For technical data go to LindQST.

Ød ₁ nom	l [mm]	M Nm	m [kg]	Sealing class past closed blade	Shaft dimension mm
80	100	2,0	0,70	4	8 x 8
100	100	2,0	0,75	4	8 x 8
125	100	2,0	0,90	4	8 x 8
160	100	2,0	1,10	4	8 x 8
180	100	2,0	1,20	4	8 x 8
200	100	2,0	1,40	4	8 x 8
250	100	3,0	1,90	4	8 x 8
315	100	4,0	2,50	4	8 x 8
400	100	8,0	4,00	4	8 x 8
500	115	10	6,50	4	8 x 8

Ordering example

